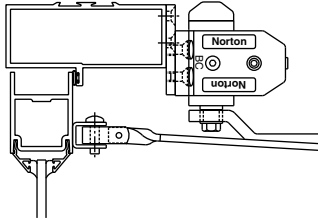


Top Jamb (Outswing) Installation

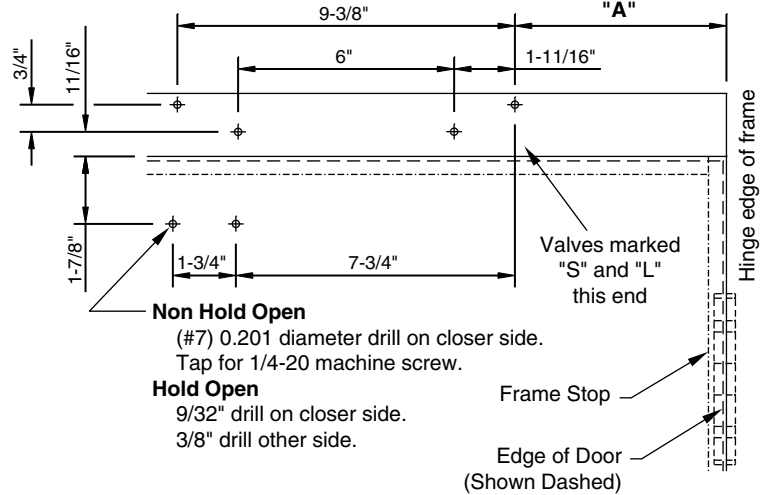
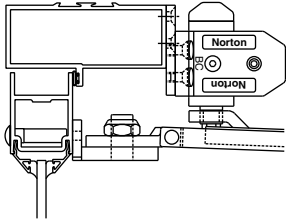
Optional drop plate for low ceiling applications

Dimension "A"		
Dim.	Standard Door Width	Range
2-3/4"	2'-6" Door	Thru 2'-10"
4-3/4"	3'-0" Door	Thru 3'-4"
6-3/4"	4'-0" Door	Over 3'-4"

Non Hold Open

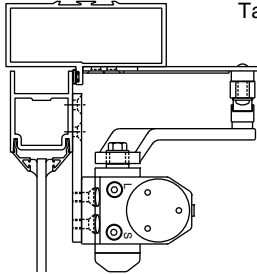


Hold Open

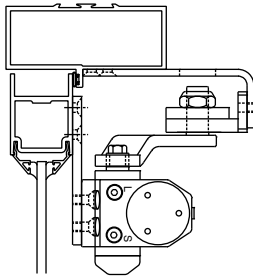


Parallel Arm (Outswing) Installation

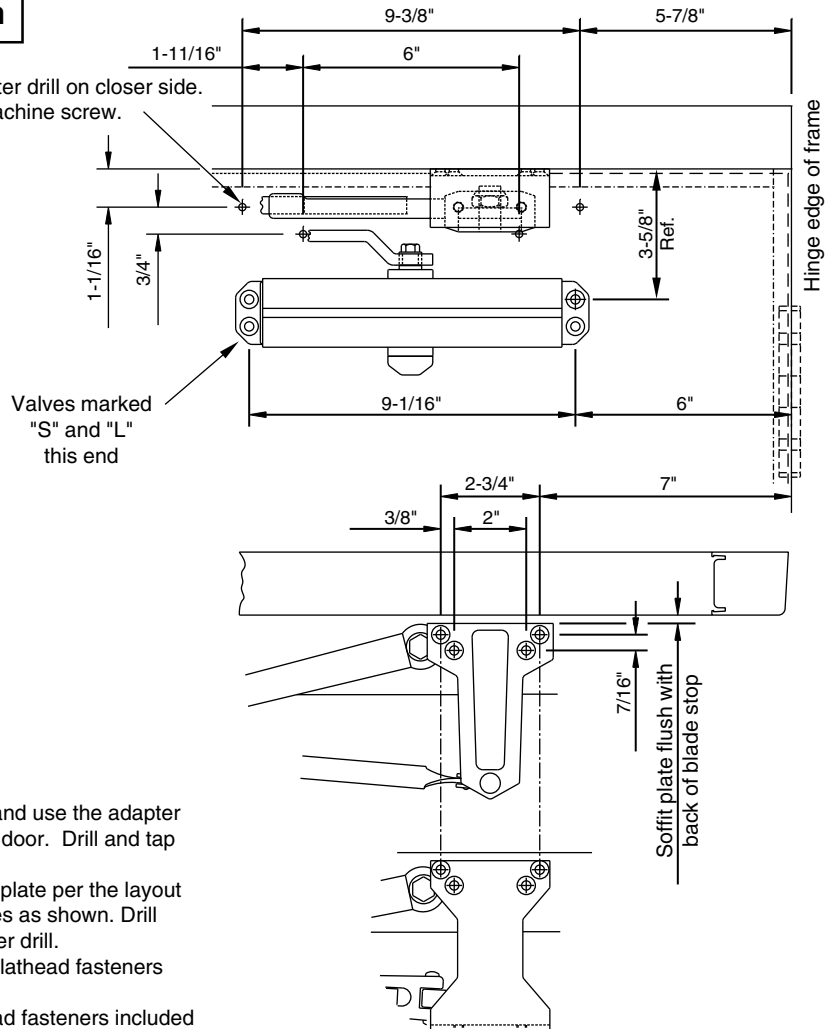
Non Hold Open



Hold Open



(#7) 0.201 diameter drill on closer side.
Tap for 1/4-20 machine screw.



INSTALLATION INSTRUCTIONS:

- 1) Locate holes for appropriate adapter plate per layout and use the adapter plate as a template to locate (4) holes on the frame or door. Drill and tap for 1/4-20 machine screws, (#7) 0.201 diameter drill.
- 2) For parallel arm applications locate holes for the soffit plate per the layout and use the soffit plate as a template to locate (4) holes as shown. Drill and tap for 1/4-20 machine screws, (#7) 0.201 diameter drill.
- 3) Attach the adaptor plate to the door or frame with the flathead fasteners included with the adaptor plate.
- 4) Attach the closer to the adapter plate with the oval head fasteners included with the closer.
- 5) Attach closer arm per the instructions supplied with the closer.

Laws and building and safety codes governing the design and use of glazed entrance, window, and curtain wall products vary widely. Kawneer does not control the selection of product configurations, operating hardware, or glazing materials, and assumes no responsibility therefor.

Kawneer reserves the right to change configuration without prior notice when deemed necessary for product improvement.
© Kawneer Company, Inc., 2007