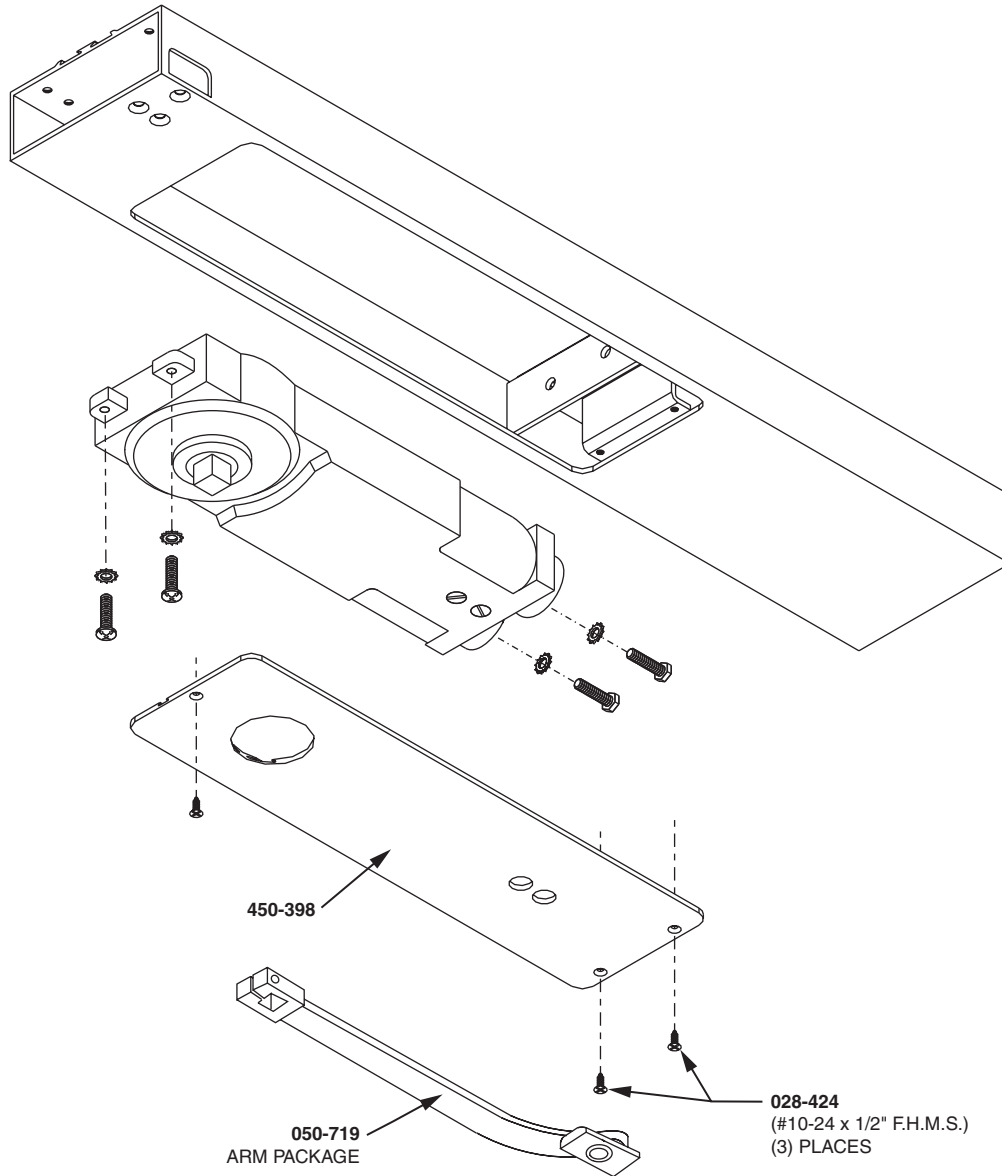


(See instruction included with Standard Doors and Frames to complete Entrance Fabrication and Installation.)

INSTALLATION OF TRANSOM BAR AND ARM

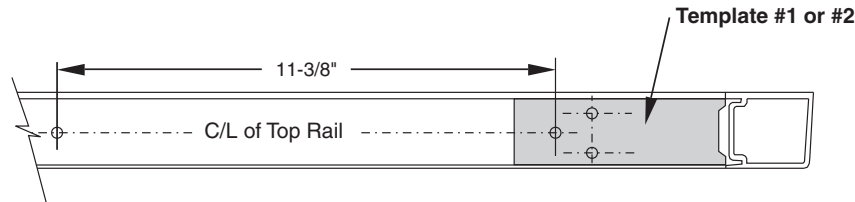
- 1. Install closer as shown below.
- 2. Position tray into t-bar, then fasten with (3) 28-424 screws.
- 3. Install Arm.



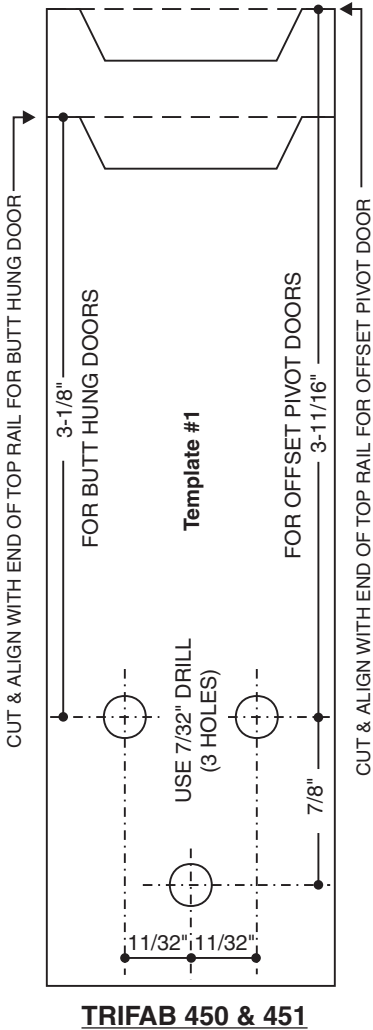
- 4. Install door stop to underside of transom bar with screws provided..
- 5. If door has not been prepared for single acting arm, use templates on other side to modify door as shown.

Laws and building and safety codes governing the design and use of glazed entrance, window, and curtain wall products vary widely. Kawneer does not control the selection of product configurations, operating hardware, or glazing materials, and assumes no responsibility therefor.

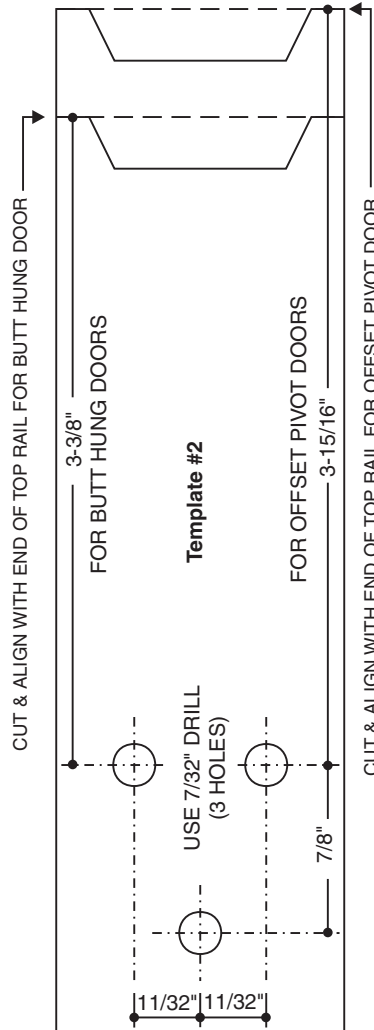
Kawneer reserves the right to change configuration without prior notice when deemed necessary for product improvement.
© Kawneer Company, Inc., 2008



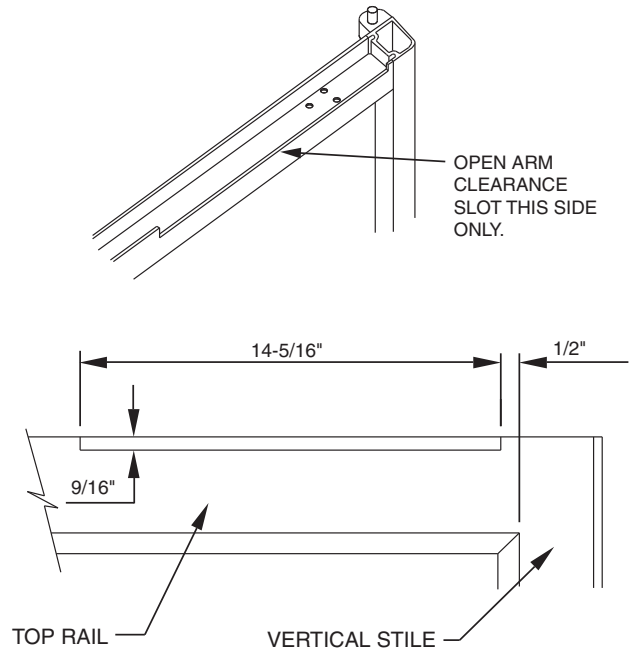
PLACING TEMPLATE IN WEB OF TOP RAIL AS ILLUSTRATED, CENTER PUNCH THREE HOLE LAYOUT. COMPLETE HOLE LAYOUT BY SCALING 11/32" TO FAR HOLE. DRILL THE FAR HOLE WITH A 7/32" (.218) BIT.



TRIFAB 450 & 451



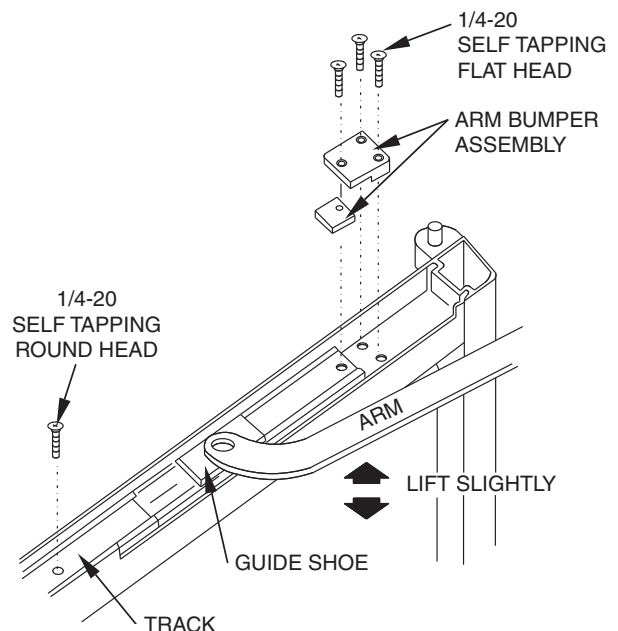
TRIFAB 400



MARK CLEARANCE SLOT AS SHOWN ABOVE. ROUT OUT ENTIRE CLEARANCE SLOT ON INTERIOR SIDE ONLY

INSTALLATION OF TRACK AND BUMPER

1. Place closer arm guide shoe into top of door.
NOTE: Guide shoe end of closer arm should be lifted slightly to clear cut-out in door.
2. Lay track in top rail and slide into position over guide shoe. Anchor in place with (1) 1/4-20 ROUND HEAD and (3) 1/4-20 FLAT HEAD self-tapping machine screws while positioning arm bumper assembly in place.



Laws and building and safety codes governing the design and use of glazed entrance, window, and curtain wall products vary widely. Kawneer does not control the selection of product configurations, operating hardware, or glazing materials, and assumes no responsibility therefor.

Kawneer reserves the right to change configuration without prior notice when deemed necessary for product improvement.

© Kawneer Company, Inc., 2008