

NOTES

USE THESE INSTRUCTIONS IN CONJUNCTION WITH INSTALLATION INSTRUCTIONS 162-971.

REFER TO DOOR INSTALLATION INSTRUCTIONS FOR HANGING DOOR AND ATTACHING DOOR HARDWARE.

INSTALL TUBULAR FRAME MEMBERS.

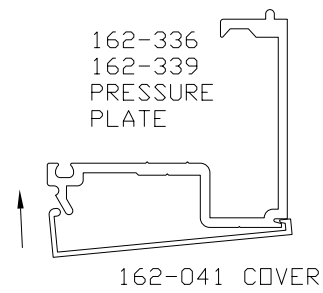
GLAZE SIDELITES AND TRANSOM LITES.

INSTALL VERTICAL PRESSURE PLATES.

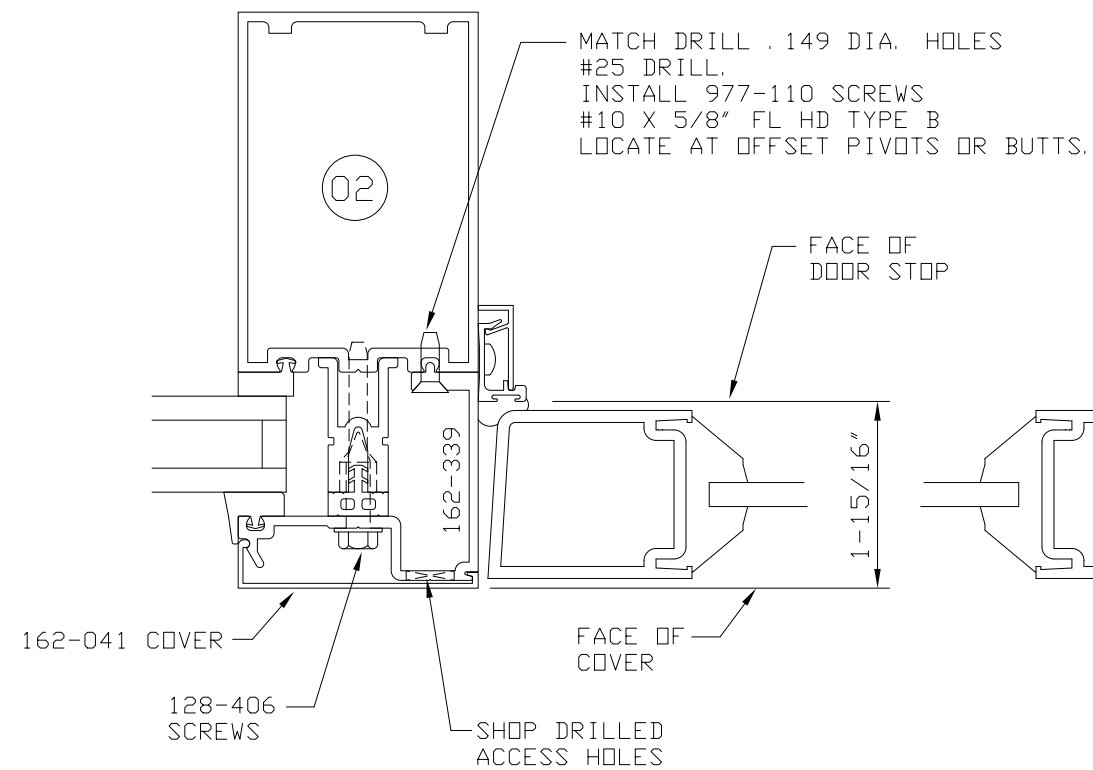
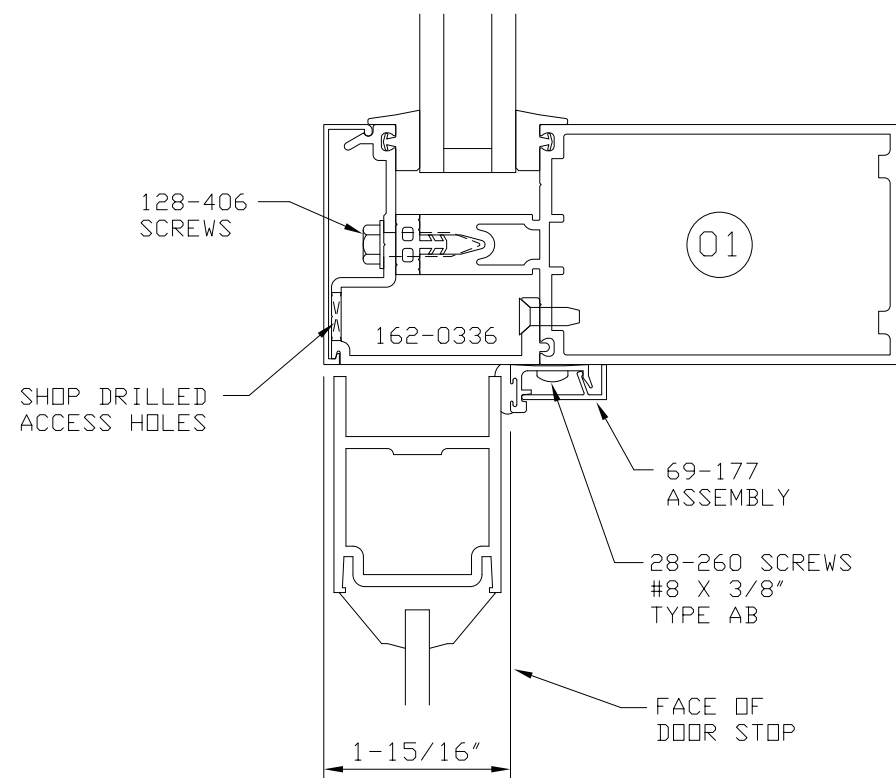
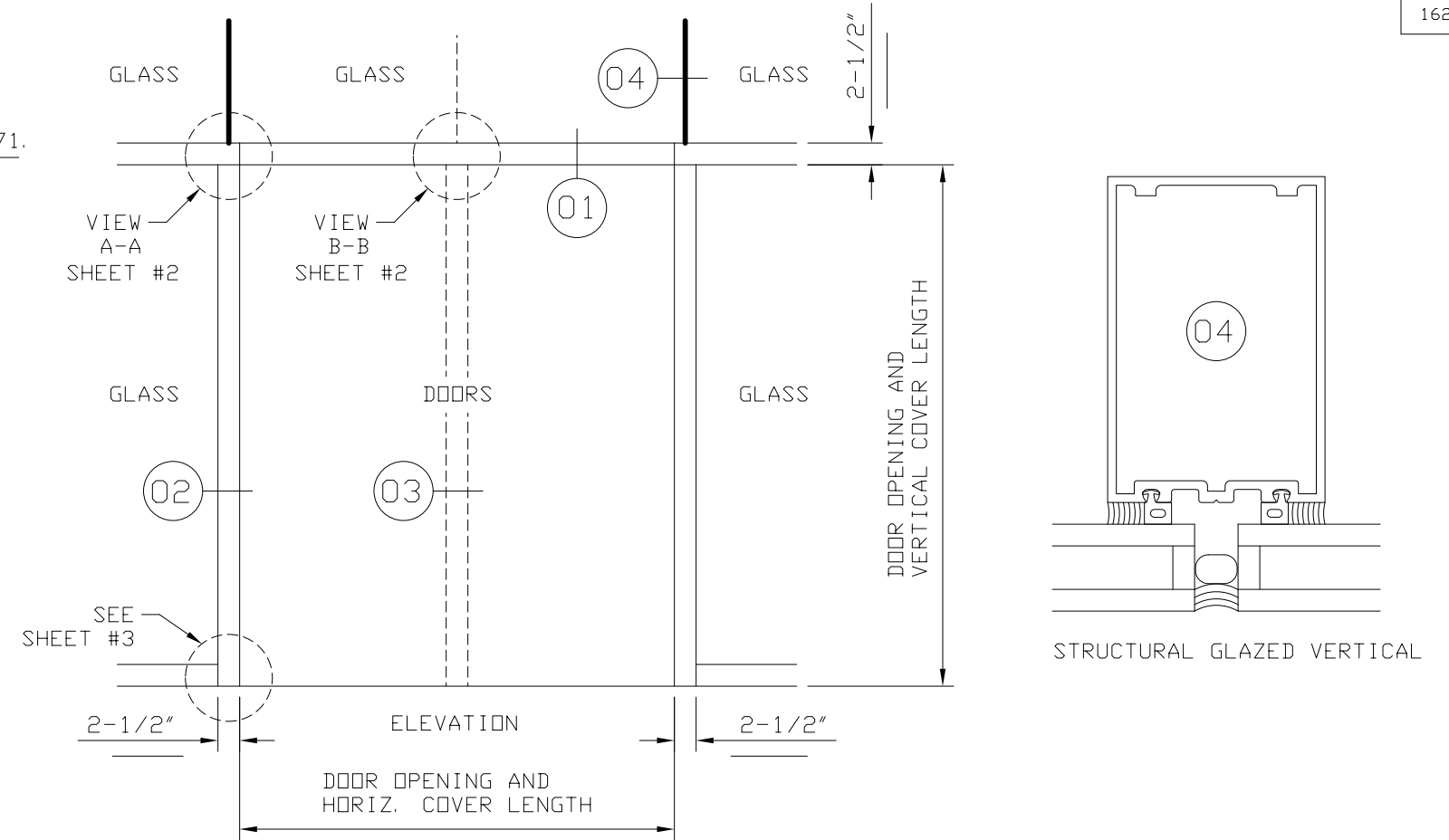
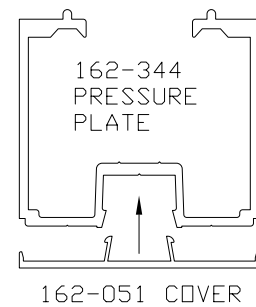
INSTALL HORIZONTAL PRESSURE PLATES.

SEAL ALL JOINTS AS SHOWN.

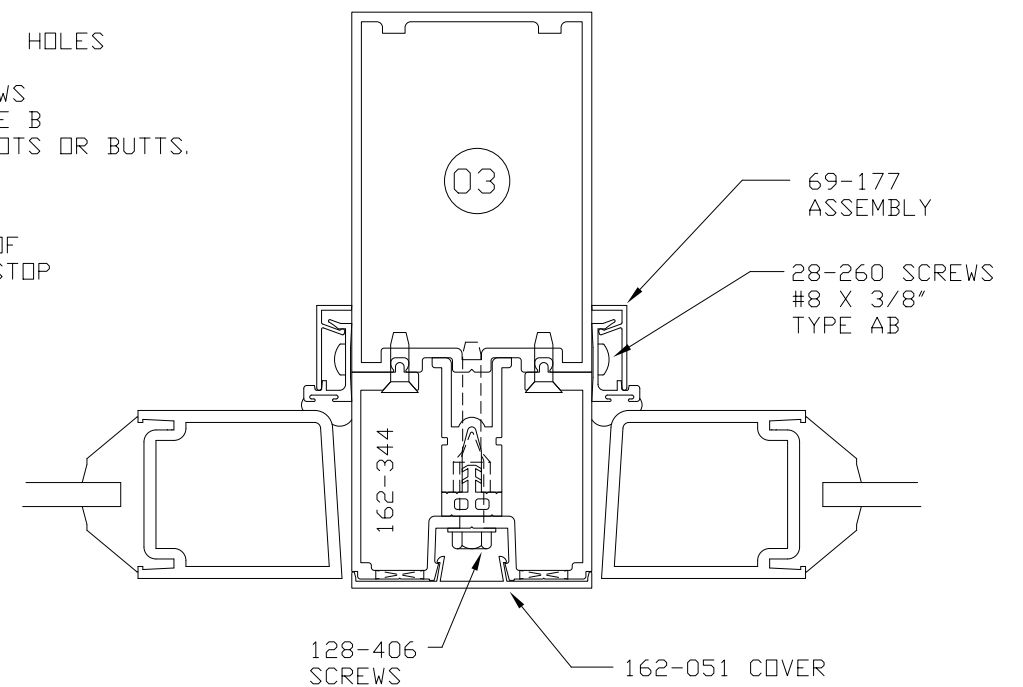
INSTALL EXTERIOR COVERS WHILE JOINT SEALS ARE WET.



COVERS TO BE INSTALLED WITH
HAND PRESSURE ONLY USING CARE
NOT TO DENT THE EXTRUSION.

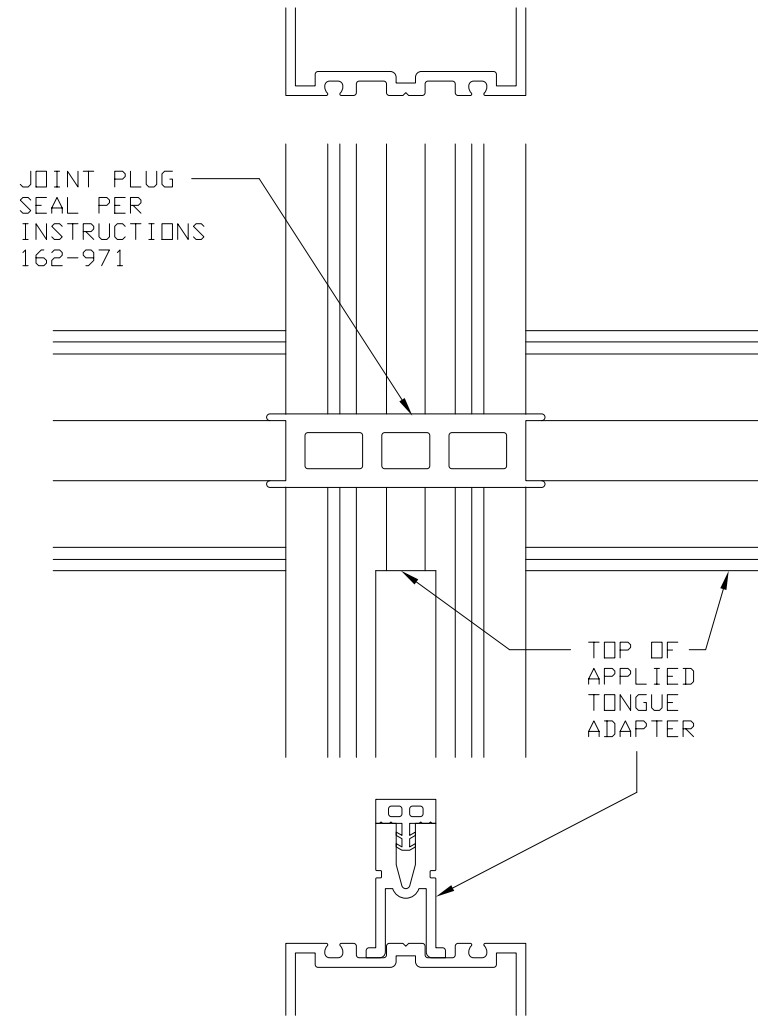


OPTIONAL DOOR TO DOOR VERTICAL



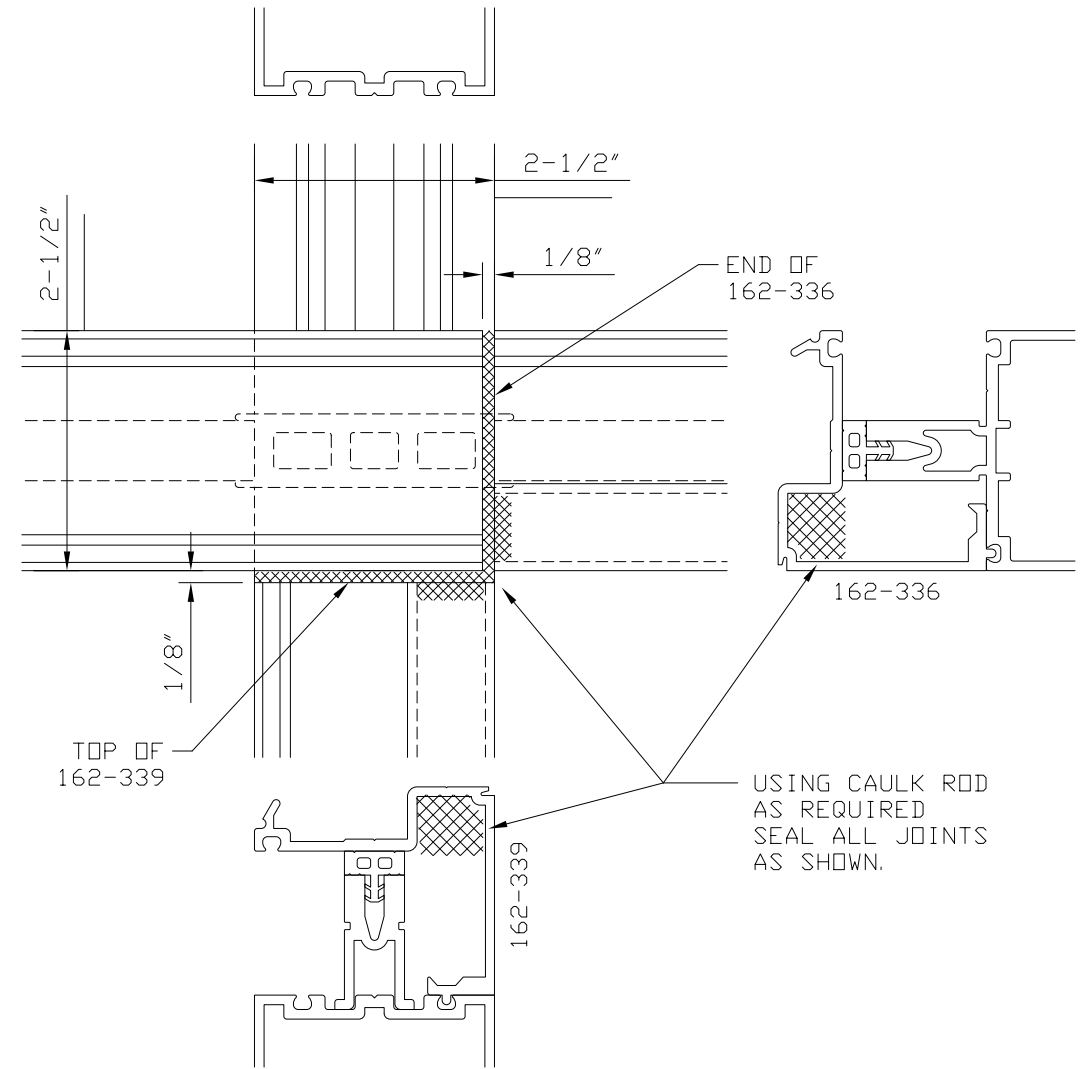
<p>An Alcoa Company</p> <p>1600 SYSTEM²</p> <p>DOOR FRAMING INSTRUCTIONS</p> <p>TRANSOM ADAPTER PART NUMBER 162-976 1 OF 3</p>	95449-51 5/31/01
	DRAWING:
	ORDER:
	SHT:

VIEW A-A AND B-B WITHOUT PRESSURE PLATES

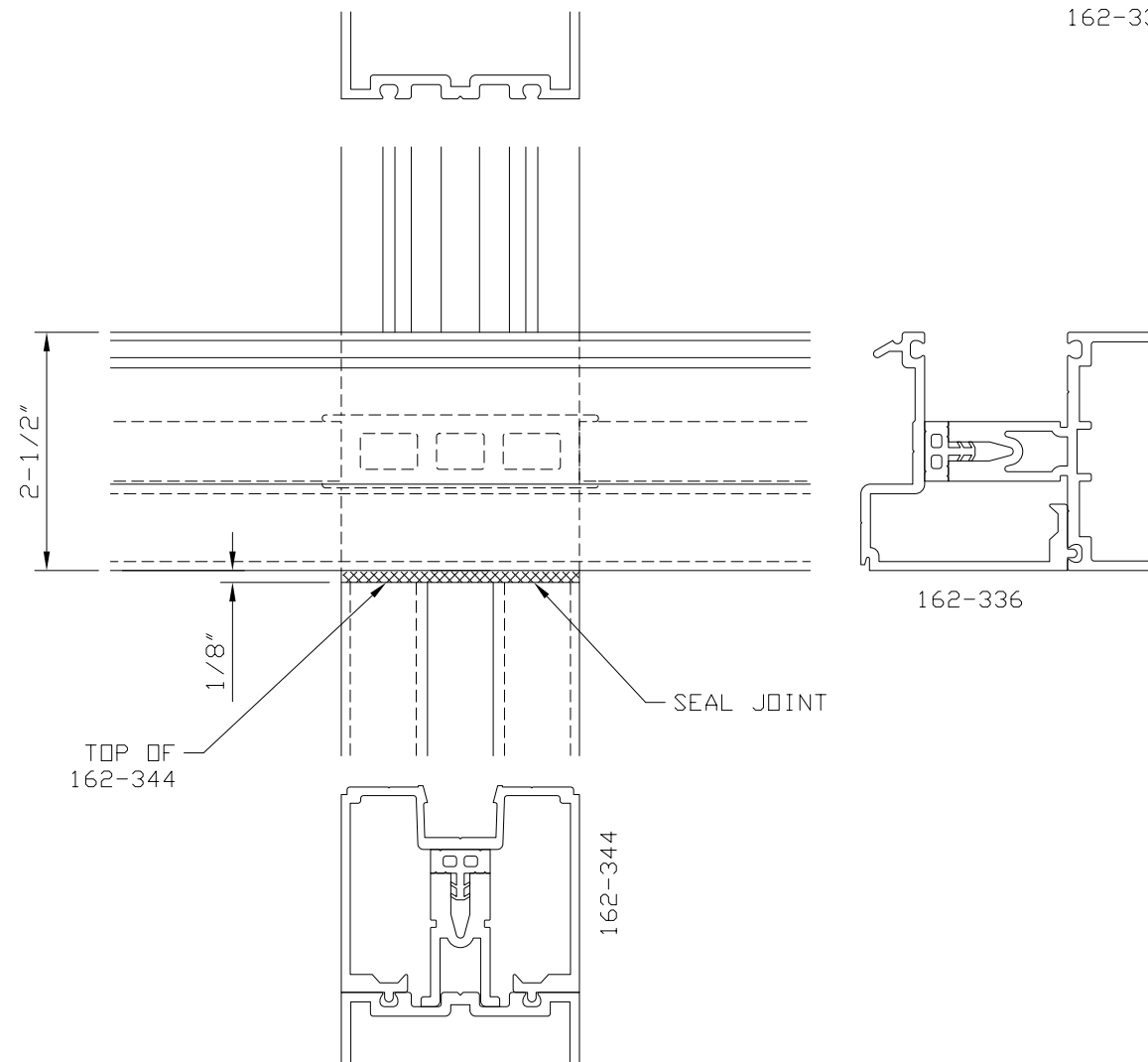



GLASS OMITTED FOR CLARITY

VIEW A-A WITH PRESSURE PLATES

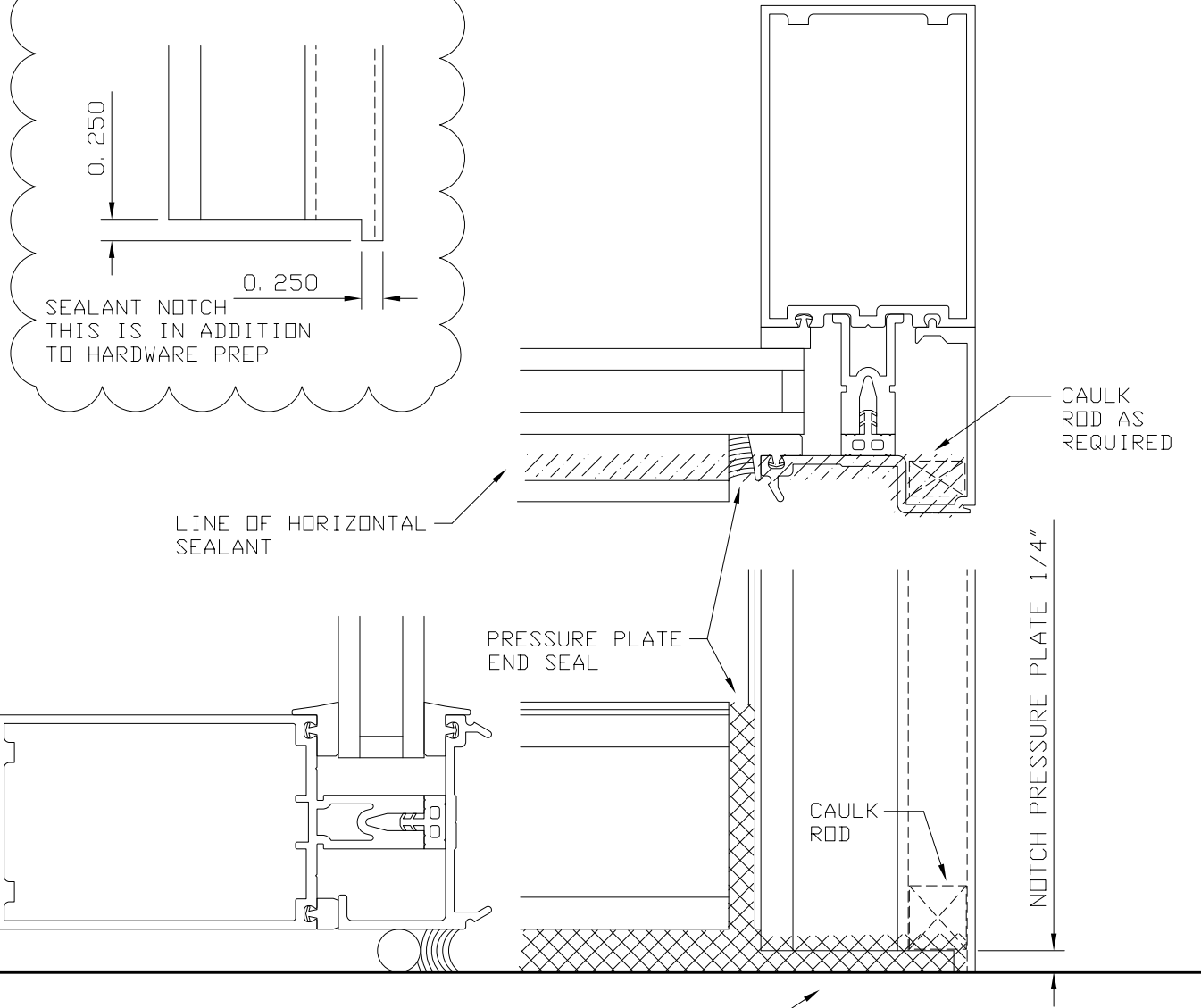
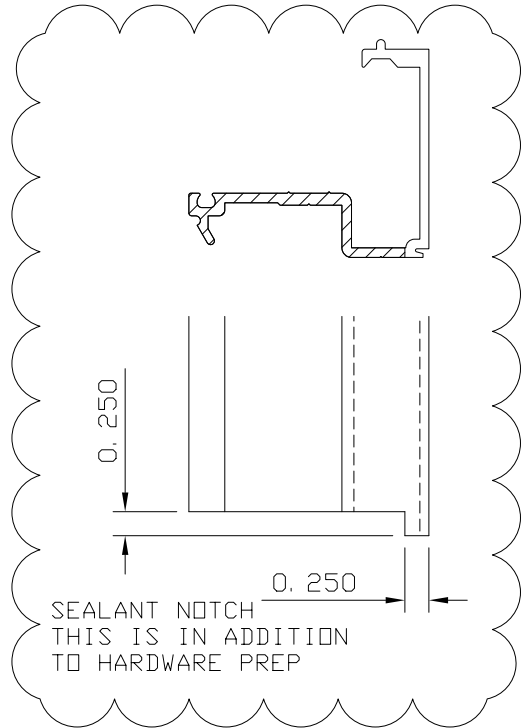


VIEW B-B WITH PRESSURE PLATES

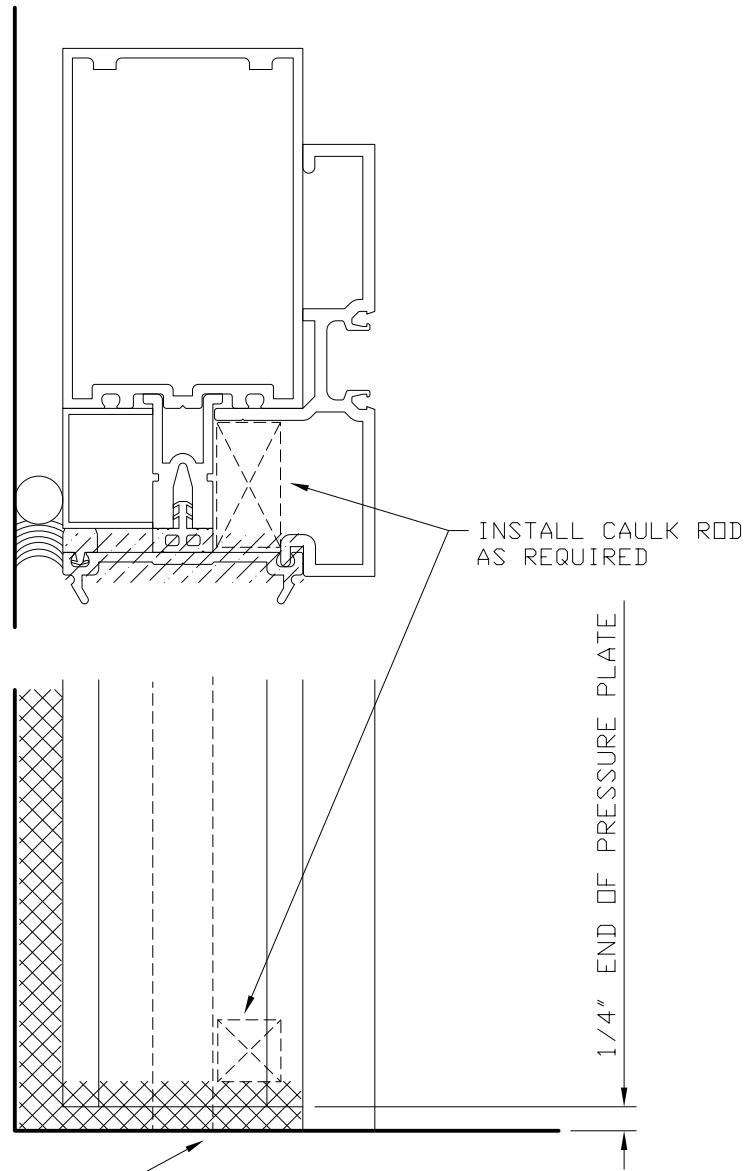
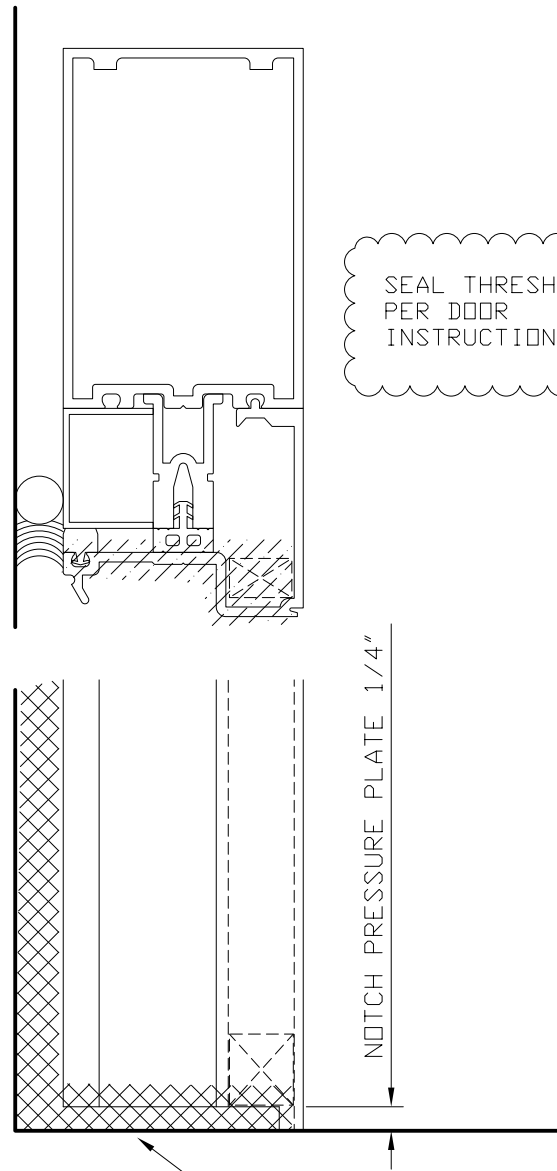


 An Alcoa Company 1600 SYSTEM² DOOR FRAMING INSTRUCTIONS TRANSOM ADAPTER	PART NUMBER 162-976 2 OF 3	95449-24 01/17/97
	ORDER:	DRAWING:
	SHT:	2 OF 3
	162-976 2 OF 3	

INSTALL VERTICAL COVERS WHILE SEALANT IS WET



SEAL THRESHOLD PER DOOR INSTRUCTIONS



RUN PERIMETER SEAL UNDER VERTICAL PRESSURE PLATE AND TOOL SEALANT ONTO FACE OF PRESSURE PLATE

RUN PERIMETER SEAL UNDER VERTICAL PRESSURE PLATE AND TOOL SEALANT ONTO FACE OF PRESSURE PLATE

<p>An Alcoa Company 1600 SYSTEM² DOOR FRAMING INSTRUCTIONS TRANSOM ADAPTER</p>	<p>PART NUMBER 162-976 3 OF 3</p>
	<p>95449-30 11/25/97</p>
	<p>DRAWING:</p>
	<p>ORDER:</p>
<p>SHT:</p>	<p>3 OF 3</p>