

USE THESE INSTRUCTIONS IN CONJUNCTION WITH THE FOLLOWING INSTRUCTIONS

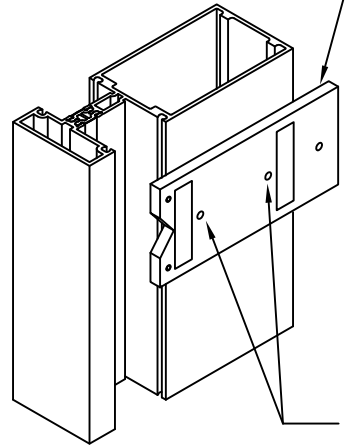
164-970 SYSTEM 4 INSTALLATION

VERTICAL MULLION FABRICATION

REFERENCE APPROVED SHOP DRAWINGS FOR VERTICAL LENGTHS AND HORIZONTAL LOCATIONS.

VERTICAL DRILL FIXTURE 163-324  
FIXTURE "V" NOTCH IS PREP C/L

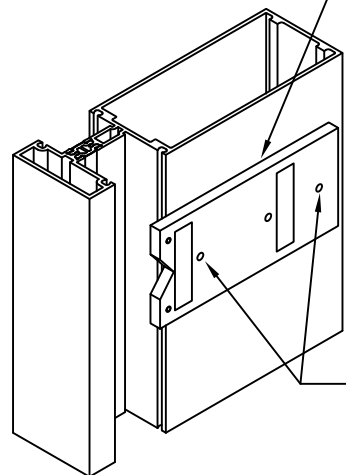
6" SYSTEM



AT 6" SYSTEM DRILL THESE 2 HOLES

VERTICAL DRILL FIXTURE 163-324  
FIXTURE "V" NOTCH IS PREP C/L

7-1/2" SYSTEM



AT 7-1/2" SYSTEM DRILL THESE 2 HOLES

VERTICAL MULLION FABRICATION

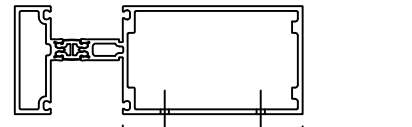
REFERENCE APPROVED SHOP DRAWINGS FOR VERTICAL LENGTHS AND HORIZONTAL LOCATIONS.

6" SYSTEM

JAMB VERTICAL ASSEMBLY 164-200

SHALLOW POCKET WALL SIDE

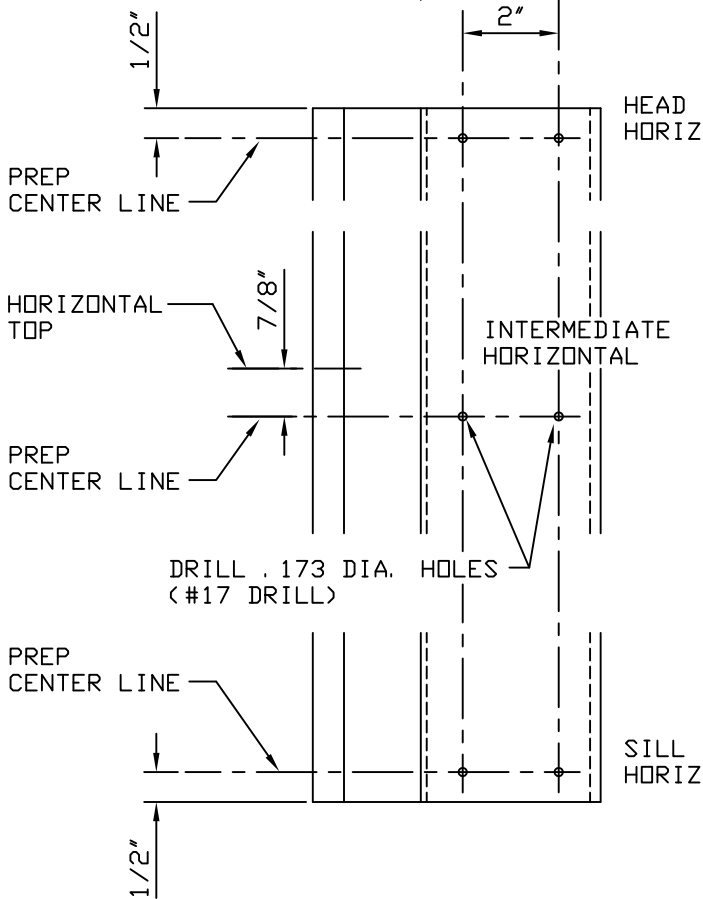
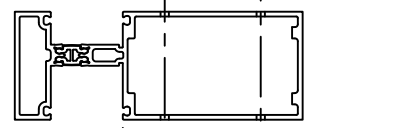
DEEP POCKET GLASS SIDE



INTERMEDIATE OR JAMB VERTICAL ASSEMBLY 164-200

SHALLOW POCKET LEFT SIDE

DEEP POCKET RIGHT SIDE



VERTICAL MULLION FABRICATION

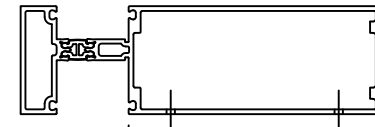
REFERENCE APPROVED SHOP DRAWINGS FOR VERTICAL LENGTHS AND HORIZONTAL LOCATIONS.

7-1/2" SYSTEM

JAMB VERTICAL ASSEMBLY 164-201

SHALLOW POCKET WALL SIDE

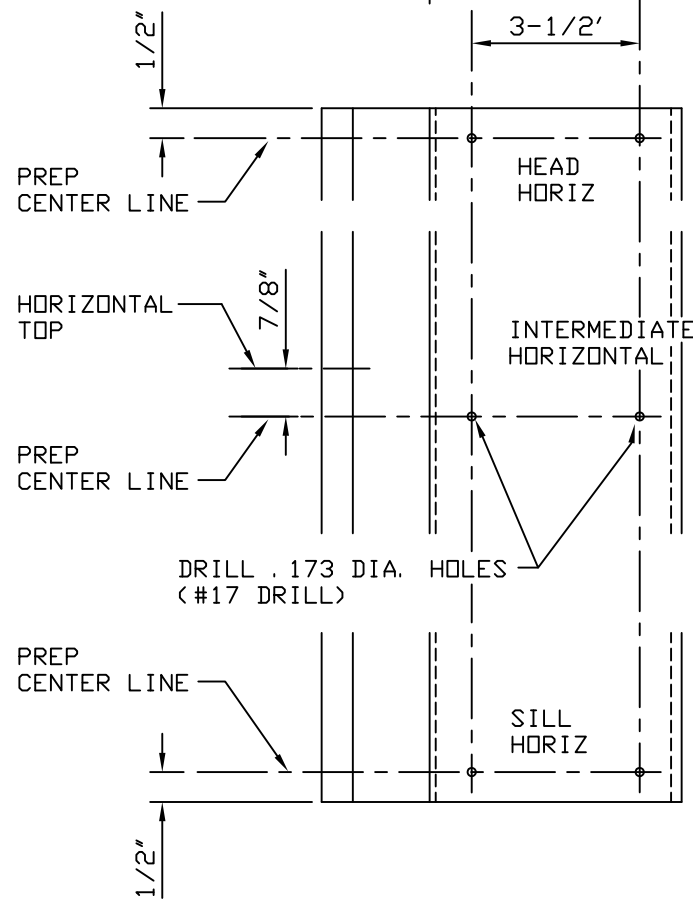
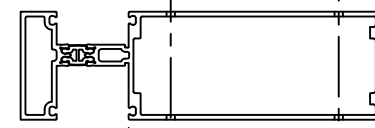
DEEP POCKET GLASS SIDE



INTERMEDIATE OR JAMB VERTICAL ASSEMBLY 164-201

SHALLOW POCKET LEFT SIDE

DEEP POCKET RIGHT SIDE



VERTICAL MULLION FABRICATION

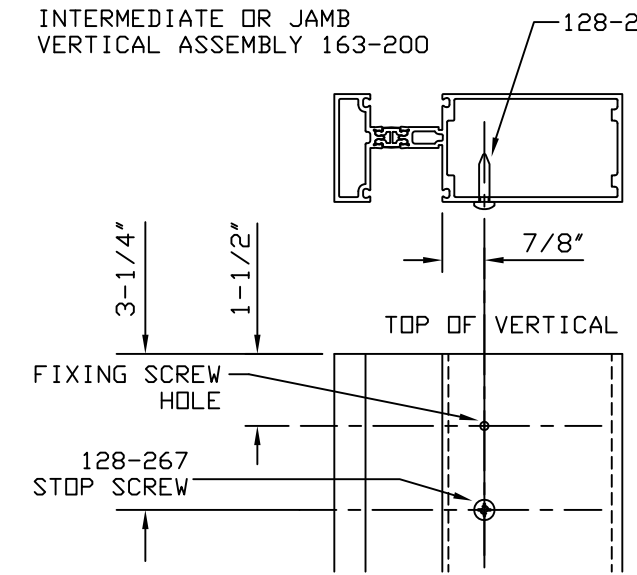
FOR SPLICE SLEEVE FIXING AND STOP SCREWS

DRILL TWO .173 DIA HOLES (#17 DRILL) AS SHOWN

THE TOP HOLE WILL BE FOR THE SLEEVE FIXING SCREW

INSTALL STOP SCREW 128-267 IN THE BOTTOM HOLE

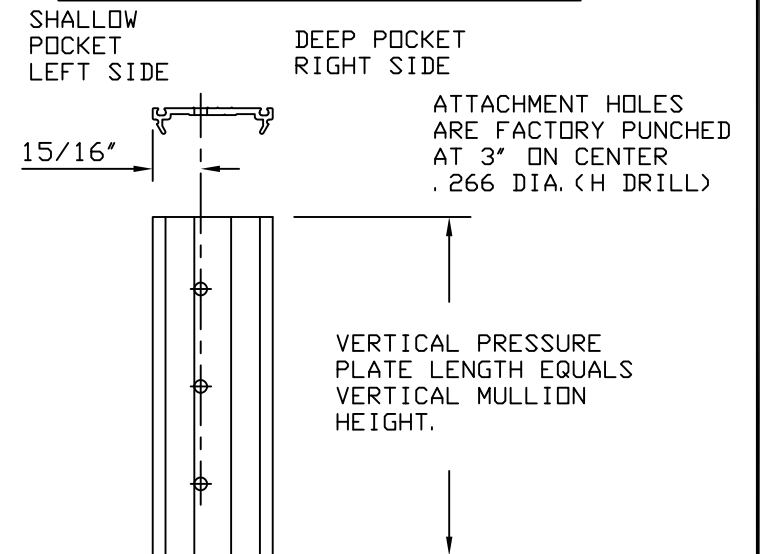
INTERMEDIATE OR JAMB VERTICAL ASSEMBLY 163-200



VERTICAL PRESSURE PLATE FAB

TYPICAL VERTICALS WILL NOT HAVE PRESSURE PLATES. BUT THEY COULD OCCUR AT CORNERS, ETC

STOCK LENGTH PART NUMBER 164-319



1600 SYSTEM<sup>4</sup>  
STOCK LENGTH INSTRUCTIONS

PART NUMBER 164-960 1 OF 4

95468-041  
05/13/13

DRAWING:

ORDER:

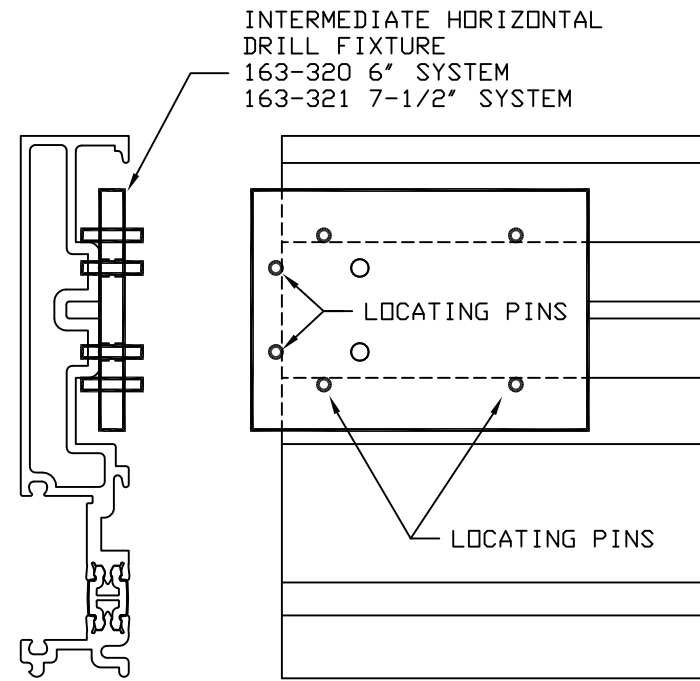
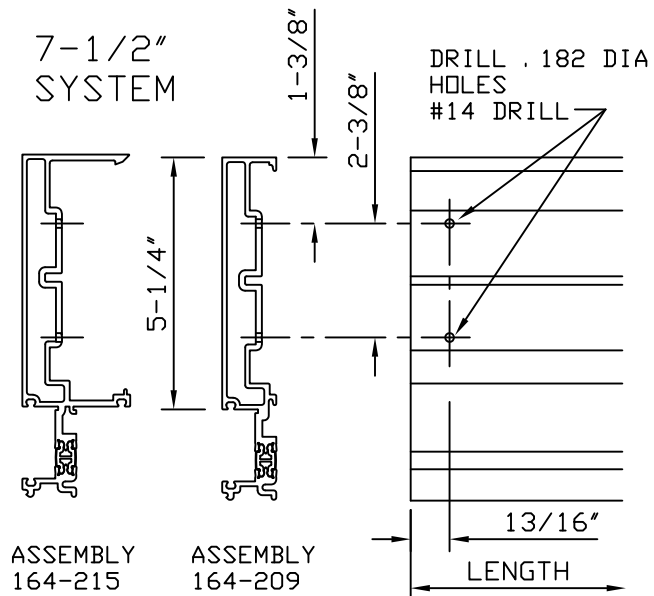
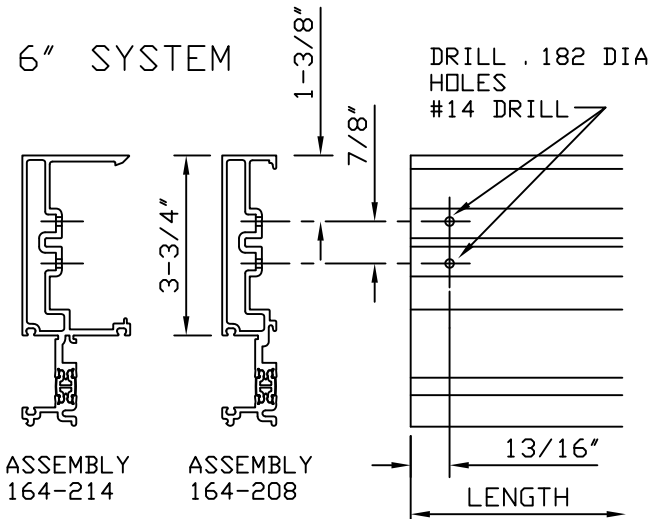
SHT:

USE THESE INSTRUCTIONS IN CONJUNCTION WITH THE FOLLOWING INSTRUCTIONS  
164-970 SYSTEM 4 INSTALLATION

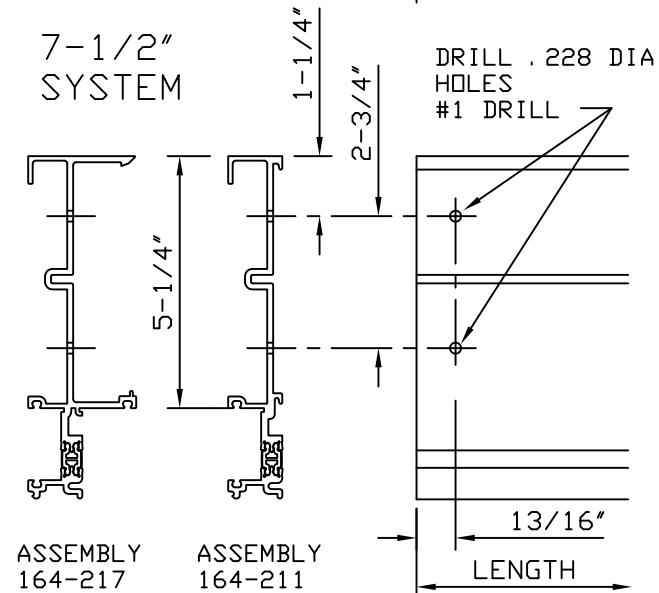
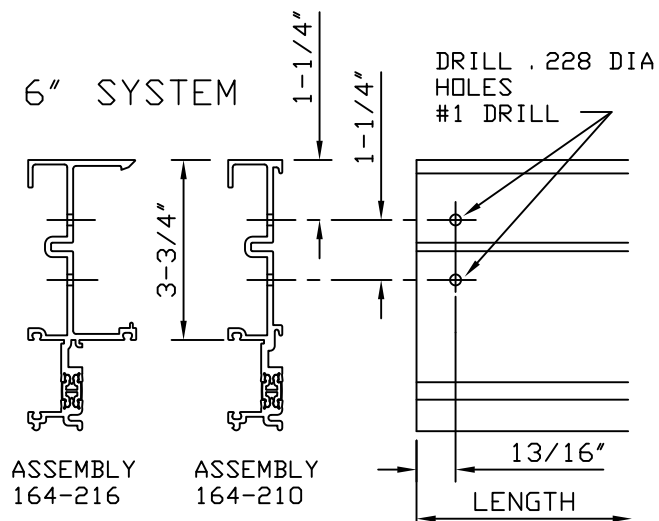
HORIZONTAL FABRICATION

LENGTH OF HORIZONTAL EQUALS DAYLITE OPENING MINUS 1/32".

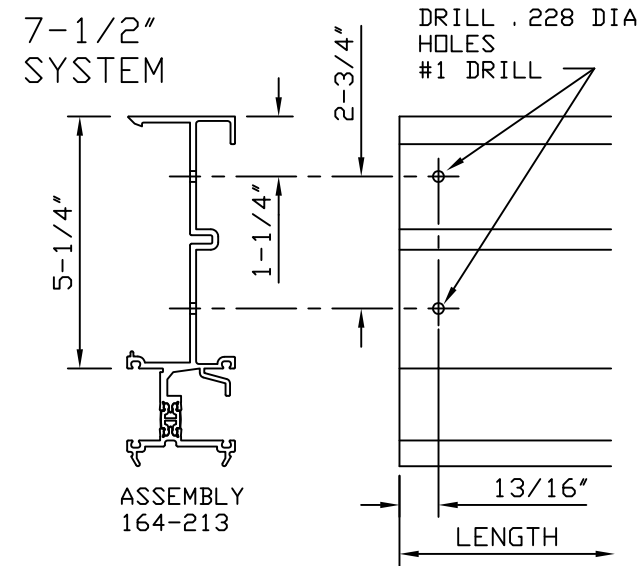
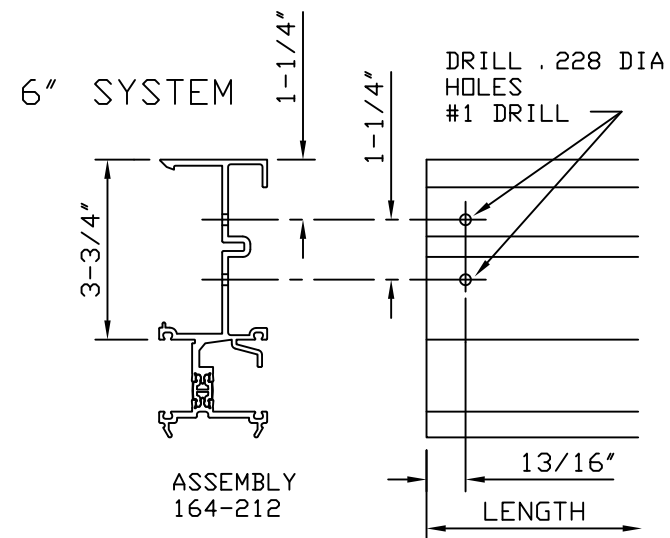
INTERMEDIATE HORIZONTALS ATTACHMENT HOLES BOTH ENDS



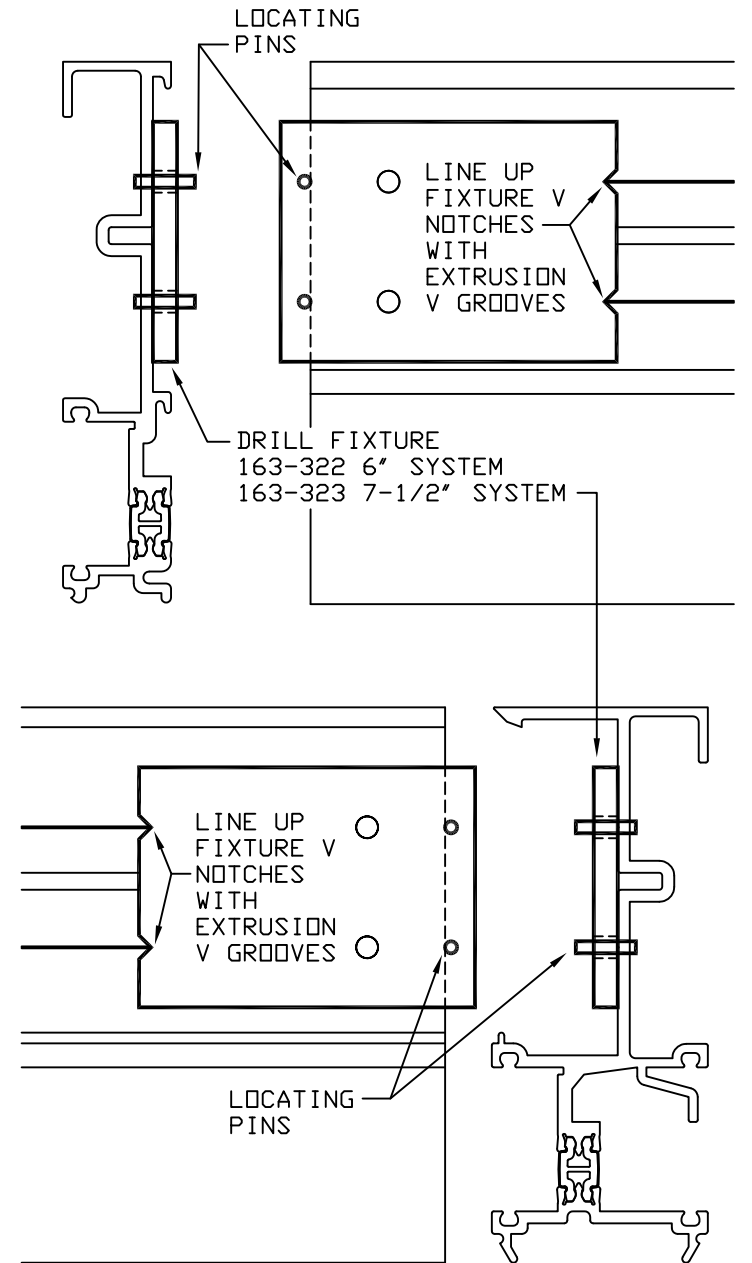
HEAD HORIZONTALS ATTACHMENT HOLES BOTH ENDS



SILL HORIZONTALS ATTACHMENT HOLES BOTH ENDS



HEAD AND SILL HORIZONTAL DRILL FIXTURE



1600 SYSTEM<sup>4</sup>  
STOCK LENGTH INSTRUCTIONS

PART NUMBER 164-960 2 OF 4

95468-041  
05/13/13

DRAWING:

ORDER:

SHT:

USE THESE INSTRUCTIONS IN CONJUNCTION WITH THE FOLLOWING INSTRUCTIONS

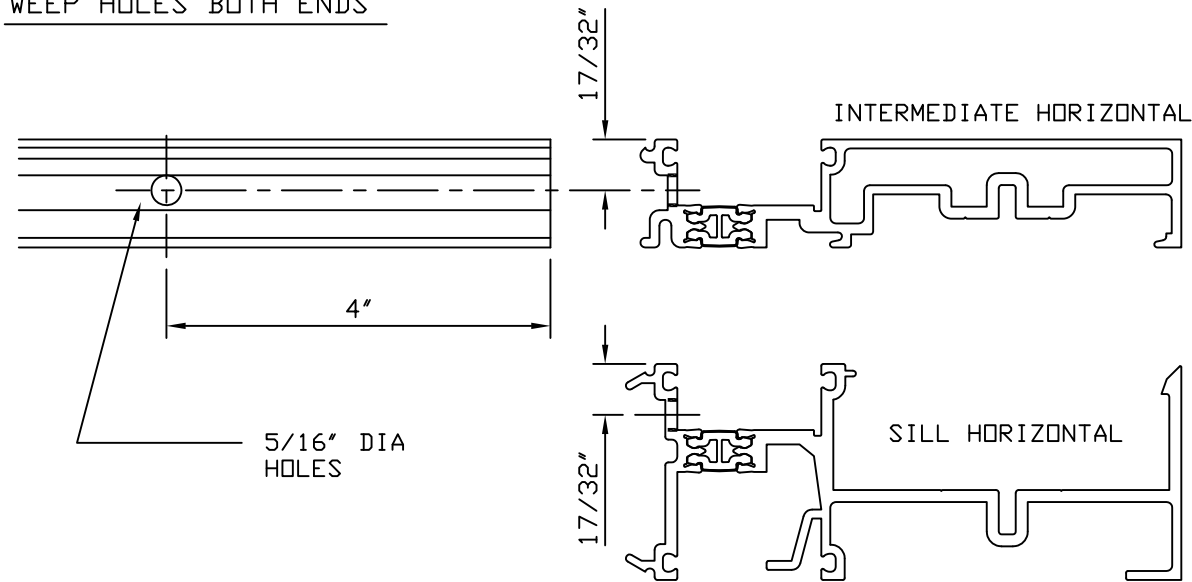
164-970 SYSTEM 4 INSTALLATION

HORIZONTAL FABRICATION

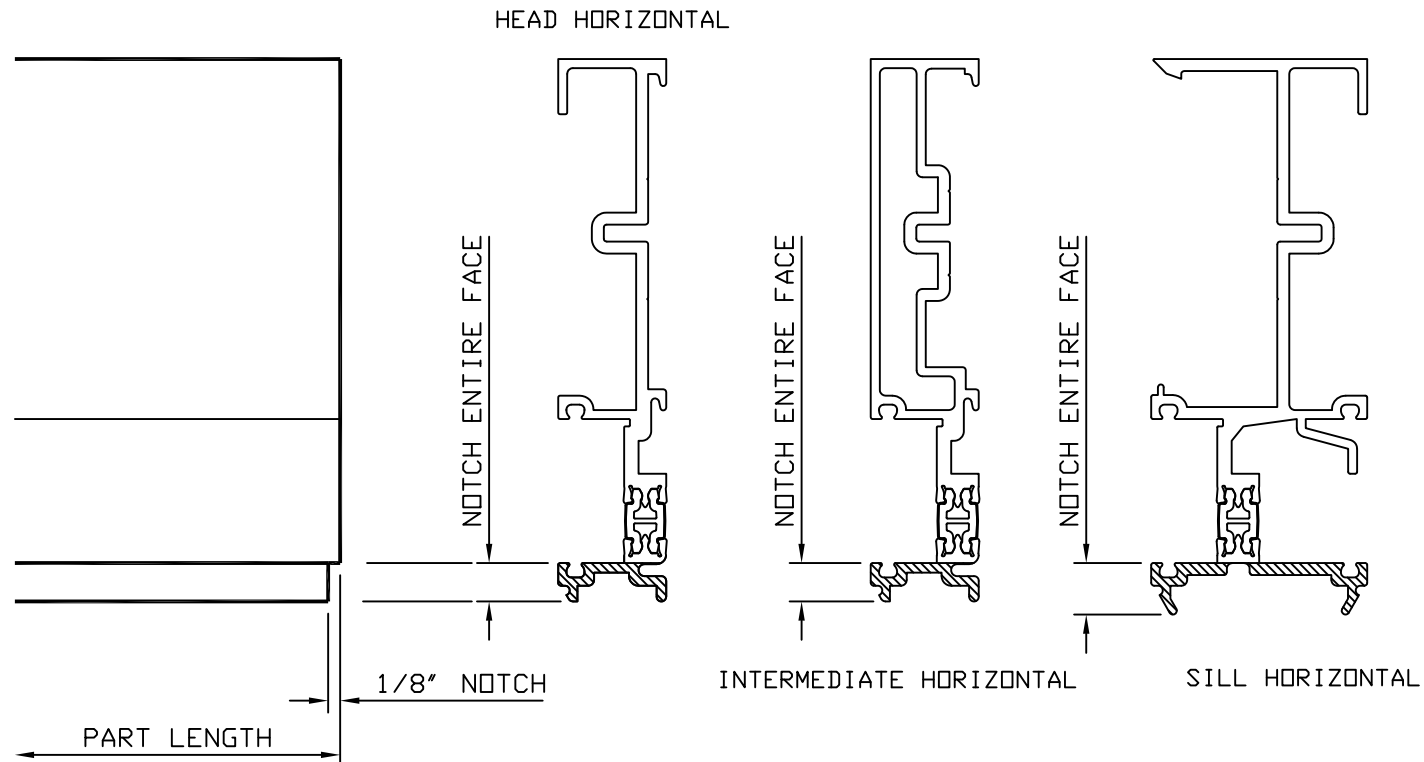
LENGTH OF HORIZONTAL EQUALS DAYLITE OPENING MINUS 1/32".

INTERMEDIATE AND SILL HORIZONTALS

WEEP HOLES BOTH ENDS



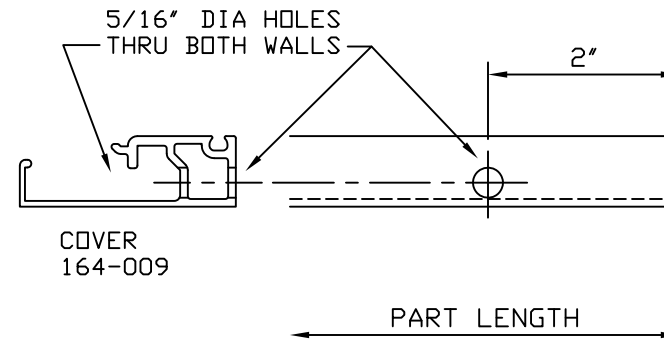
HEAD, INTERMEDIATE AND SILL HORIZONTAL END NOTCH BOTH ENDS



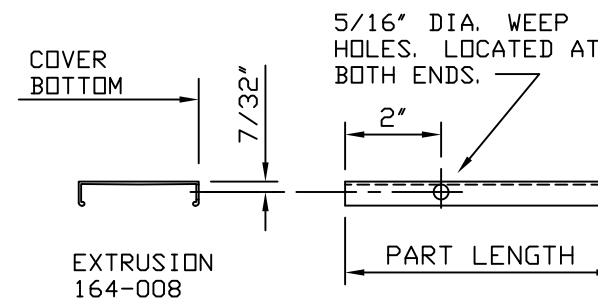
EXTERIOR COVER FABRICATION

LENGTH OF HORIZONTAL COVER EQUALS DAYLITE OPENING MINUS 1/16".

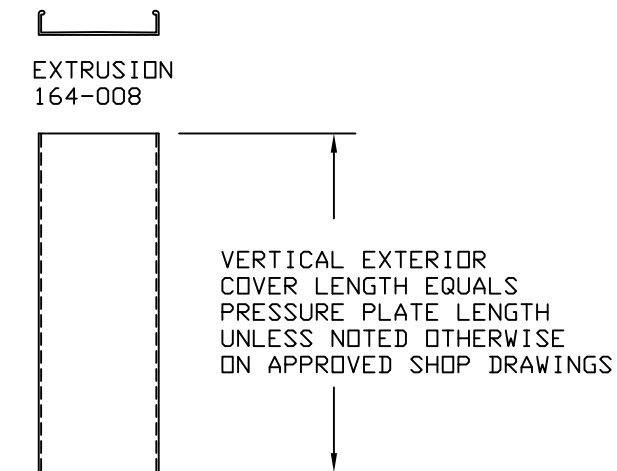
WEEP HOLE BOTH ENDS FOR HEAD AND INTERMEDIATE HORIZONTAL TUBULAR COVERS



WEEP HOLE BOTH ENDS FOR SILL COVERS



VERTICAL COVERS WHEN APPLICABLE



1600 SYSTEM<sup>4</sup>  
STOCK LENGTH INSTRUCTIONS

PART NUMBER  
164-960 3 OF 4

95468-041  
05/13/13

DRAWING:


ORDER:


SHT:

USE THESE INSTRUCTIONS IN CONJUNCTION WITH THE FOLLOWING INSTRUCTIONS

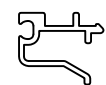
164-970 SYSTEM 4 INSTALLATION

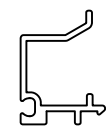
INTERIOR STOP FABRICATION

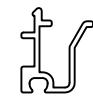
 1" INFILL HORIZONTAL STOP  
164-011 6" SYSTEM  
164-013 7 1/2" SYSTEM  
SQUARE CUT DAYLITE  
OPENING WIDTH MINUS 1/16"

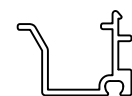
 1/4" INFILL HORIZONTAL STOP  
164-012 6" SYSTEM  
164-014 7 1/2" SYSTEM  
SQUARE CUT DAYLITE  
OPENING WIDTH MINUS 1/16"

SPANDREL ADAPTER FABRICATION

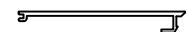
 1/4" INFILL HORIZONTAL SHALLOW POCKET ADAPTER  
164-006  
SQUARE CUT DAYLITE  
OPENING WIDTH MINUS 1/16"

 1/4" INFILL HORIZONTAL DEEP POCKET ADAPTER  
164-007  
SQUARE CUT DAYLITE  
OPENING WIDTH MINUS 1/16"

 1/4" INFILL VERTICAL SHALLOW POCKET ADAPTER  
164-006  
SQUARE CUT DAYLITE  
OPENING HEIGHT PLUS 1 1/4"

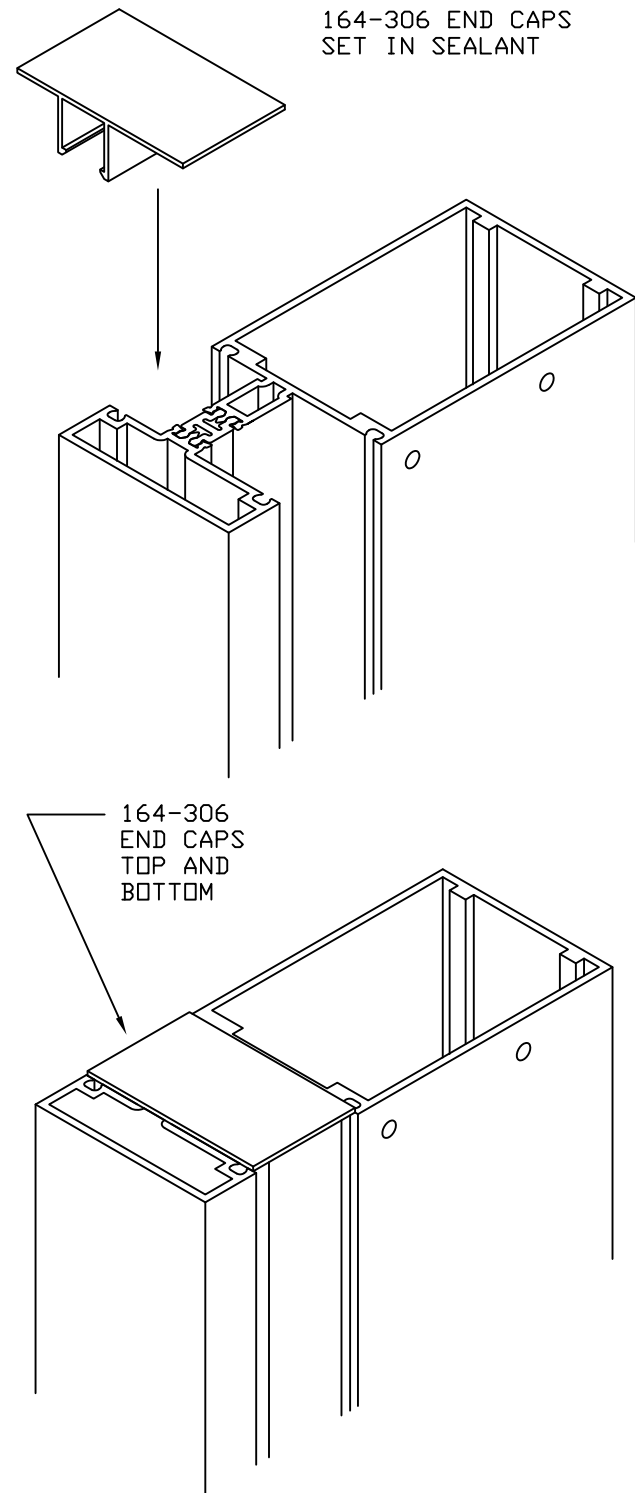
 1/4" INFILL VERTICAL DEEP POCKET ADAPTER  
164-007  
SQUARE CUT DAYLITE  
OPENING HEIGHT PLUS 1 1/4"

FILLER FABRICATION

 HORIZONTAL FILLER  
162-021 6" SYSTEM  
162-020 7 1/2" SYSTEM  
SQUARE CUT DAYLITE  
OPENING WIDTH MINUS 1/16"

END CAP APPLICATION

TYPICAL VERTICALS



VERTICAL JAMB PERIMETERS

